



Datenblatt - Fiche technique - Data sheet

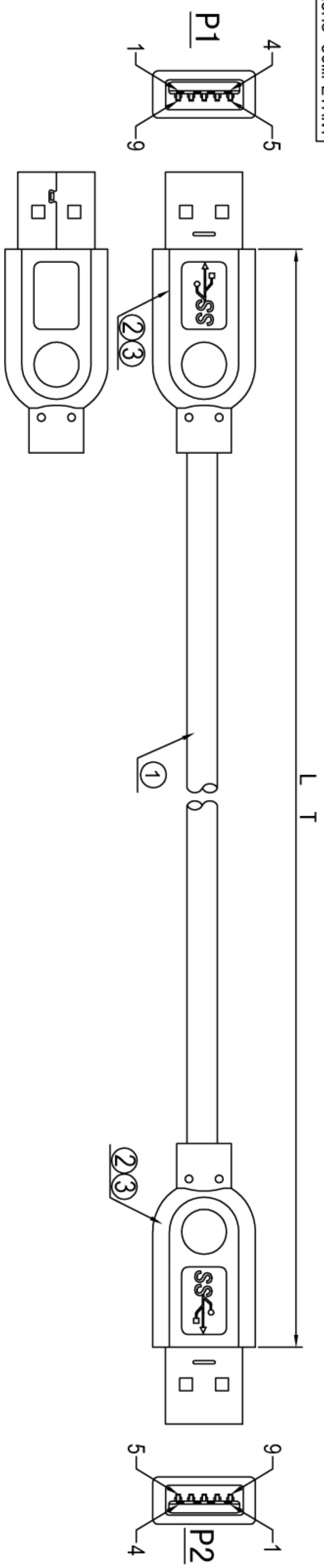
**11.02.8971**



ROLINE USB 3.0 Kabel, Typ A-A, 3,0m

ROLINE Câble USB 3.0 Type A-A, 3,0m

ROLINE USB 3.0 Cable, A - A, M/M, 3.0 m



NOTES:

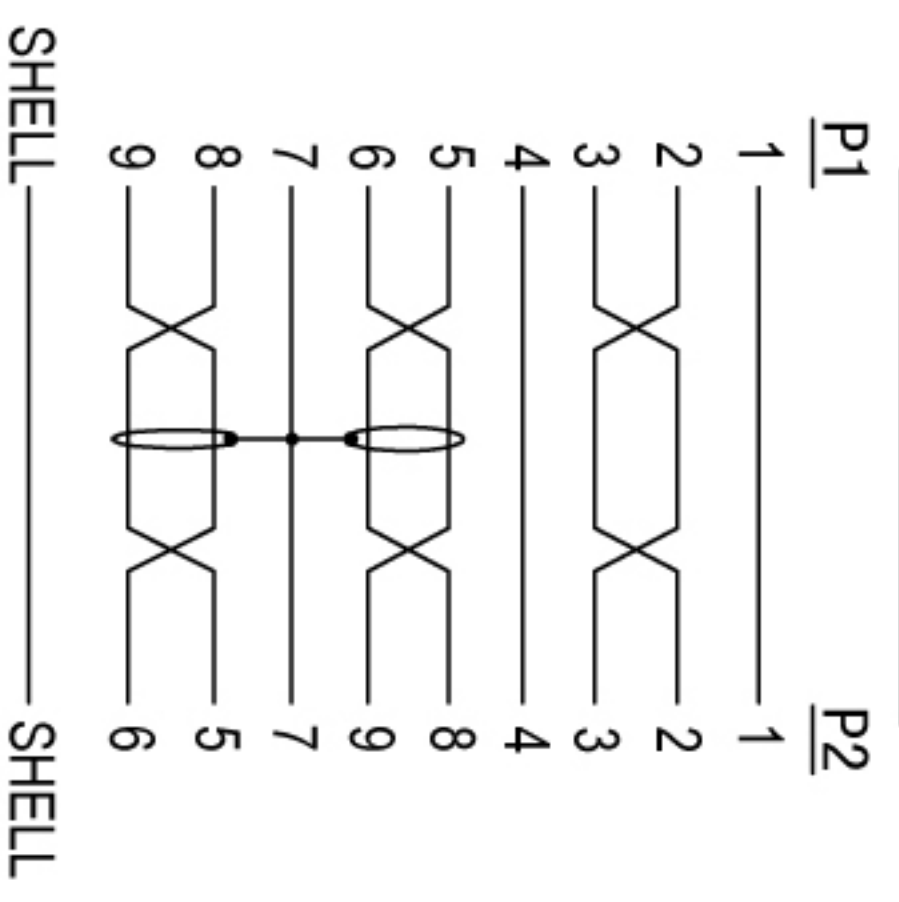
1. CABLE: UL2725 (30AWG\*1P+EAM) \*2+28AWG\*1P+24AWG\*2C+AB (AL/MG BRAID)  
OD=5.5MM JACKET: PVC BLACK;
2. CONN: USB 3.0 A/M INSULATION: BLUE SHELL NICKEL-PLATED CONTACT GOLD-PLATED 3U";
3. OUTER MOLD: PVC 45P BLACK;

ELECTRICAL TEST:

1. 100% TEST OPEN SHORT MIS-WIRE;
2. INSULATION RESISTANCE: 2M OHM MIN.

ITEM NO	L (MM)	T (MM)	BAG
11. 02. 8970	1800	50	150*200*0.06MM
11. 02. 8971	3000	60	150*200*0.06MM

WIRE ADDRESS



Company	Rotronic	Goods Code	Drawing Evidence:		Draw	FC038 ZYF	Date	2011. 11. 25	Rotronic Co., Ltd.	D	
ITEM NO	11. 02. 897X				Check		Date			C	
Goods NO					Approval		Date			B	
Original NO.		Unit (MM)							VER. A	REVISE	Date

